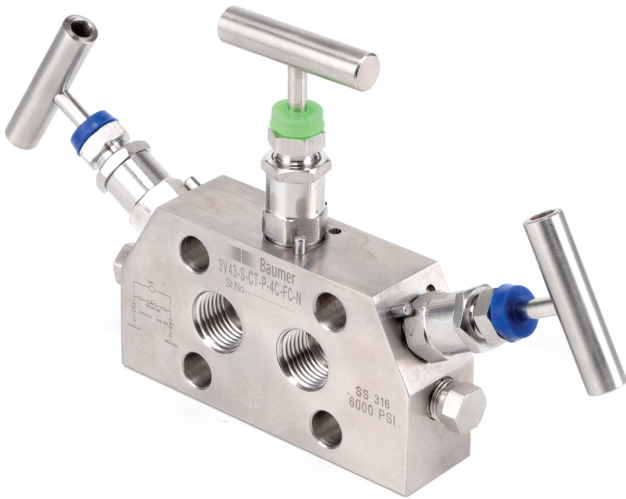


3V43

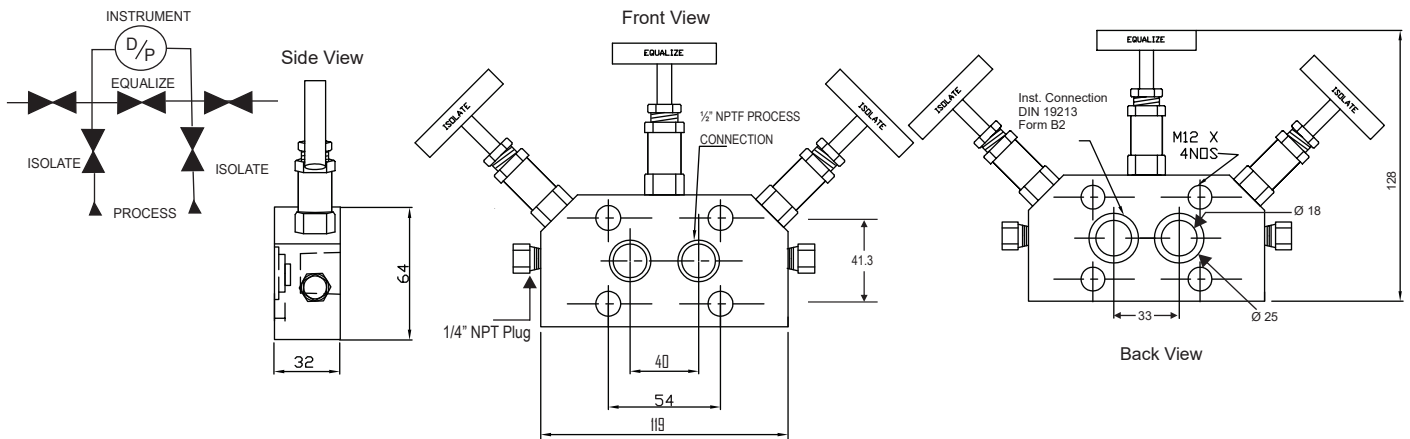
Direct mount (pipe to flange coplanar)



Coplanar mounting Three Valve Manifold with drain plugs. This manifold has two isolating valves, one equalizer valve & two vent ports duly plugged. when assembled to transmitter has the advantage of compact size with easy for operation in minimum space. The direct mounting facility to the base of the differential pressure transmitter result in less leakage points and more accurate measurements.

Standard Connection

Product	Process side	Instrument side	Vent/Test
3V43	1/2" NPT female	Coplanar (DIN 19213 Form B2)	1/4" NPT female



Optional Drain Plug with bleed available on request Notes : • Drawings are not to scale. • All Dimensions are in mm.

Specifications - Standard Version

Body	: SS 316
Stem	: SS 316
Valve assembly	: SS 316
'T' bar handle	: SS 304
Maximum working pressure	: 6000 PSI
Maximum working temperature	: 240°C
Packing	: PTFE
Type of stem	: Type CT; Stem with conical metal tip
Drain port	: 1/4" NPT [F]; provided with SS 316 plug

How To Order

Body Material	Stem Type	Stem Packing	Size = Inlet x Outlet	Connections	Threads
C = Carbon Steel	CT (std)	P = PTFE (std)	4C = 1/2"x Coplanar	SW = Socket Weld	N = NPT (ANSI B 1.20.1)
C = SS 316 (std)	DS	G = Grafoil		FC = Female x Colpanar	P = BSPP (BS 2779, ISO 228/1)
S4 = SS 304					B = BSPT (BS 21, ISO 7/1)
SL = SS 316L					
M4 = Monel 400					
M5 = Monel 500					
H = Hastelloy C					

Options -

TF	: Compliance to NACE standard
SG	: For Oxygen service, valves are supplied cleaned, degreased and suitably packed.
GH	: Material test certificate*
GO	: Hydro test certificate
PRF	: PTFE ring for flange seal
GRF	: Grafoil ring for flange seal
BLD4	: Bleeder 1/4" NPT (M)

*Material test certificates will be provided for wetted parts only with chemical composition testing. For others, please consult factory.

Example

To place an order simply refer to the codes in the table.

Valve Type : Body Material + Stem Type + Stem Packing + Size Connections + Threads + Options

3V43 + S + CT + P + 4C FC + N = 3V43 . S . CT . P . 4C . FC . N . Options

NOTE:

- The weld prepared types are available with female plain end - suitable for socket weld.
- Anti-tamper bonnet - special design on request with locking arrangement if desired.